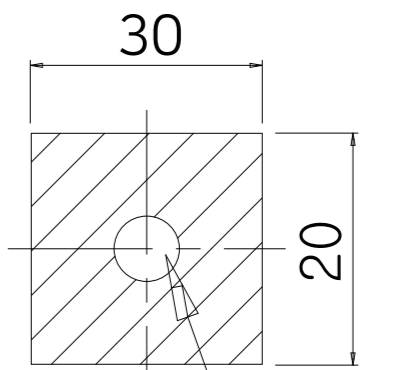


"A"부 상세도



\*급수관 위치

G1/2"

<b>JAVA</b>		MODEL			TWU950	
		TITLE				
DATE(Y Y/M M/D D)	2024/05/02	SIZE	PART No.		Rev.	
MATERIAL	_____	<b>A3</b>				
SURFACE	_____					
DRAWN BY	KIBEOM	SCALE 1:1		SHEET 1 OF 1		
CHECKED BY						
APPROVED BY						